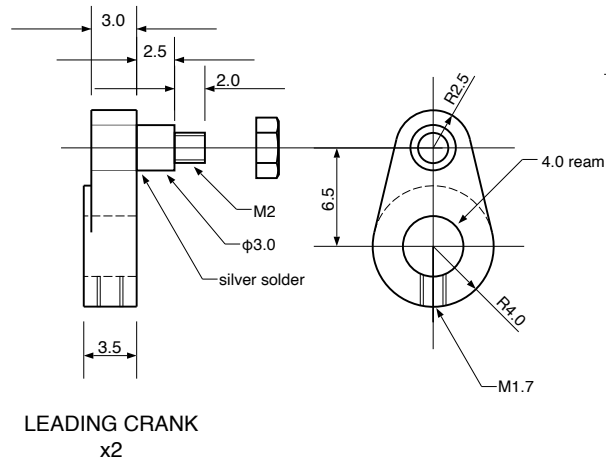
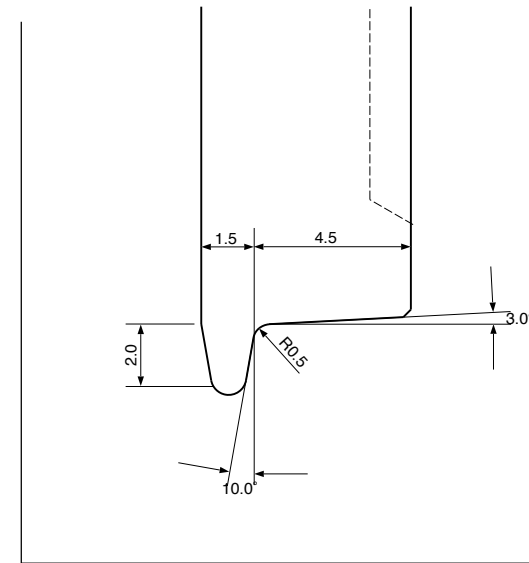
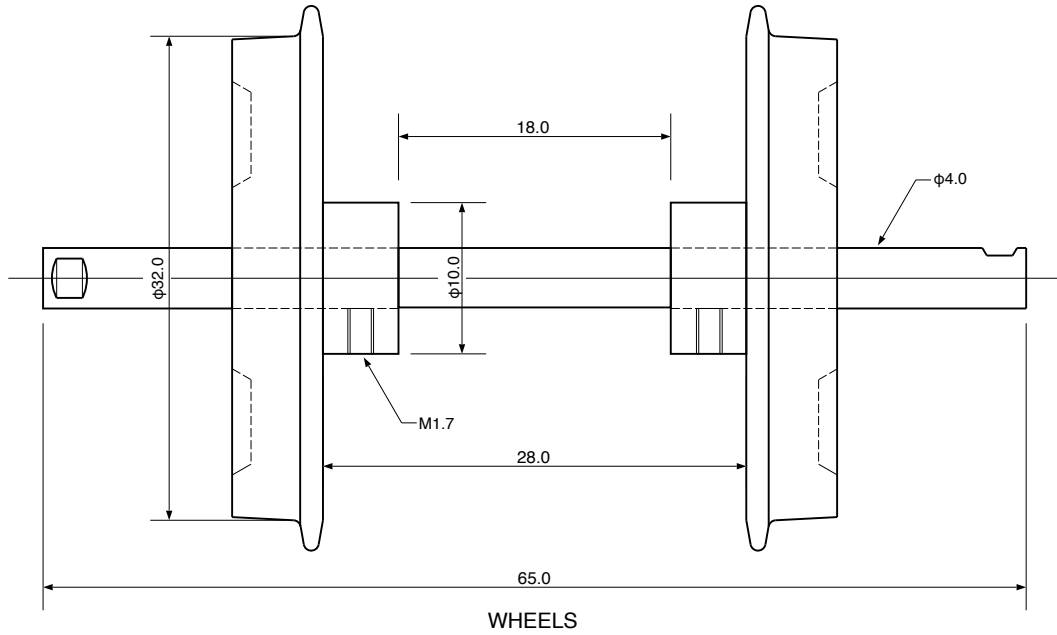
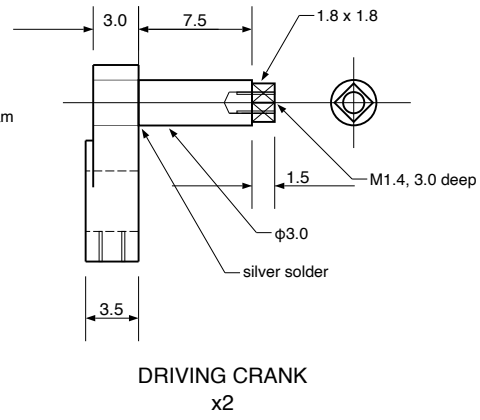


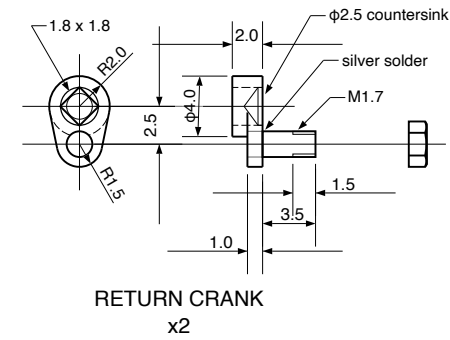
# WHEELS / CRANKS



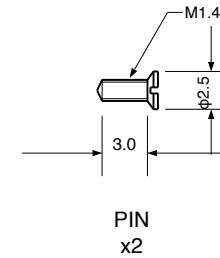
LEADING CRANK  
x2



DRIVING CRANK  
x2



RETURN CRANK  
x2



PIN  
x2